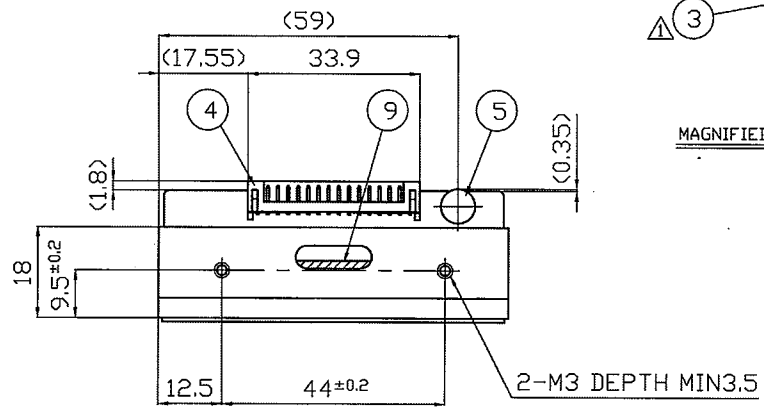
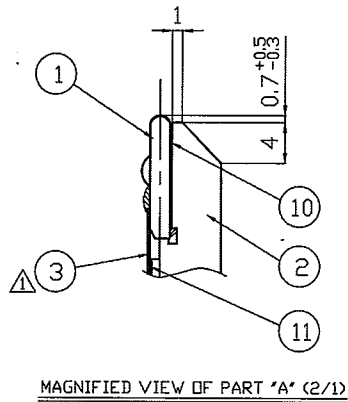
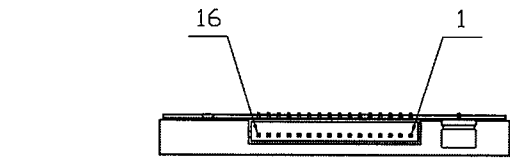


↑ DIRECTION OF MARKING CHARACTER IS UPPER SIDE.



No	DESCRIPTION
(1)	SUBSTRATE
(2)	HEAT SINK
(3)	FPC
(4)	CONNECTOR
(5)	CAPACITOR
(6)	CHIP CAPACITOR
(7)	CHIP THERMISTOR
(8)	ADHESIVE 1
(9)	ADHESIVE 2
(10)	ADHESIVE TAPE 1
(11)	ADHESIVE TAPE 2
(12)	MARKING

KYOCERA

TITLE
 KHE-57-12GAN2-STM
 OUTLINE DWG