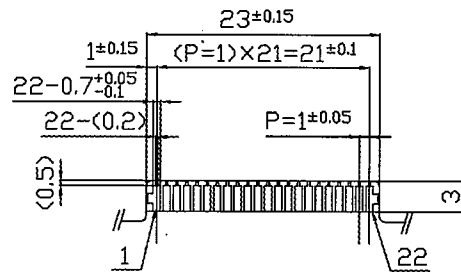
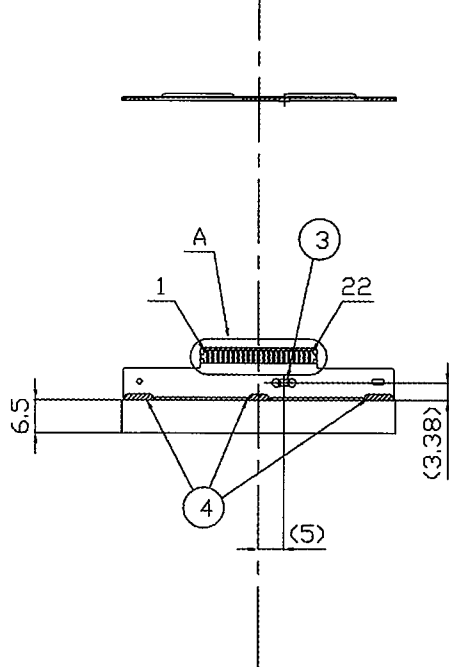


DIRECTION OF MARKING CHARACTER IS UPPER SIDE.



MAGNIFIED VIEW OF "A"  
(SCALE : 2/1)

No	DESCRIPTION
①	SUBSTRATE
②	FPC
③	CHIP THERMISTOR
④	ADHESIVE
⑤	MARKING