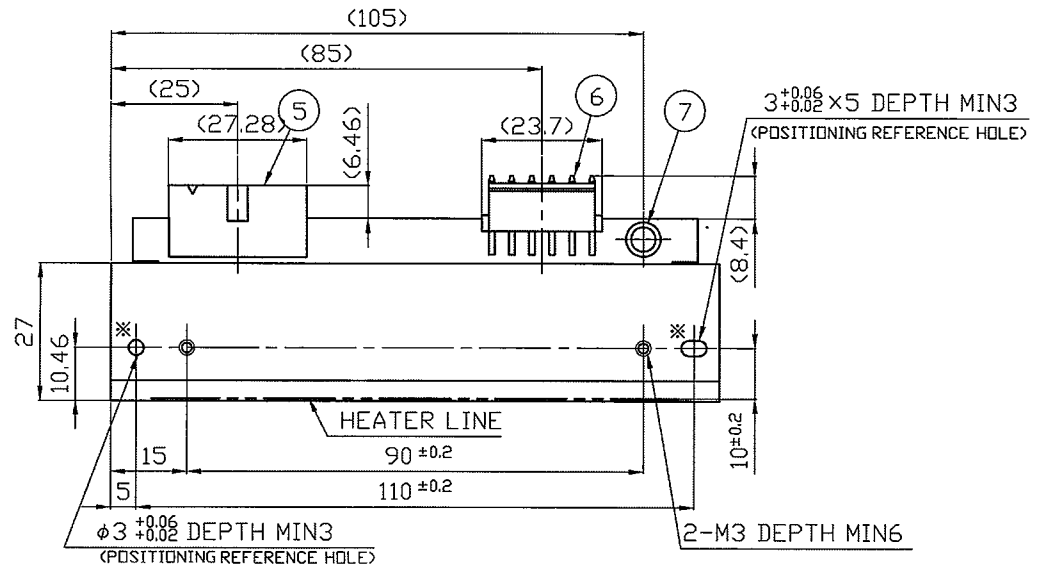
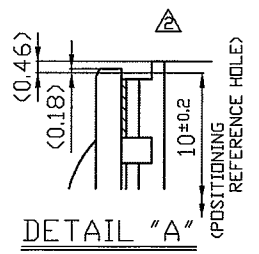
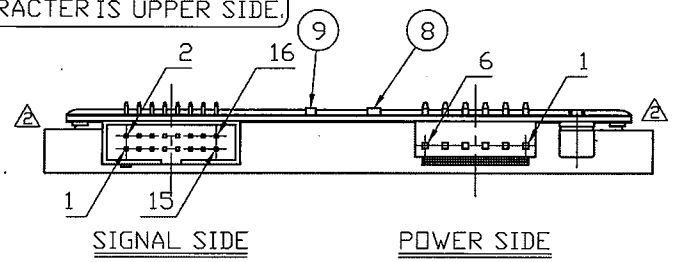


↑ DIRECTION OF MARKING CHARACTER IS UPPER SIDE.



No	DESCRIPTION
(1)	SUBSTRATE
(2) △△	HEAT SINK
(3)	F P C
(4)	COMMON LEAD FRAME
(5)	CONNECTOR 1
(6)	CONNECTOR 2
(7)	CAPACITOR
(8)	CHIP CAPACITOR
(9)	CHIP THERMISTOR
(10)	MARKING
(11)	ADHESIVE TAPE
(12)	INSULATING TAPE
(13)	ADHESIVE 1
(14)	ADHESIVE 2



TITLE
KCE-104-8MPK1
OUTLINE DWG