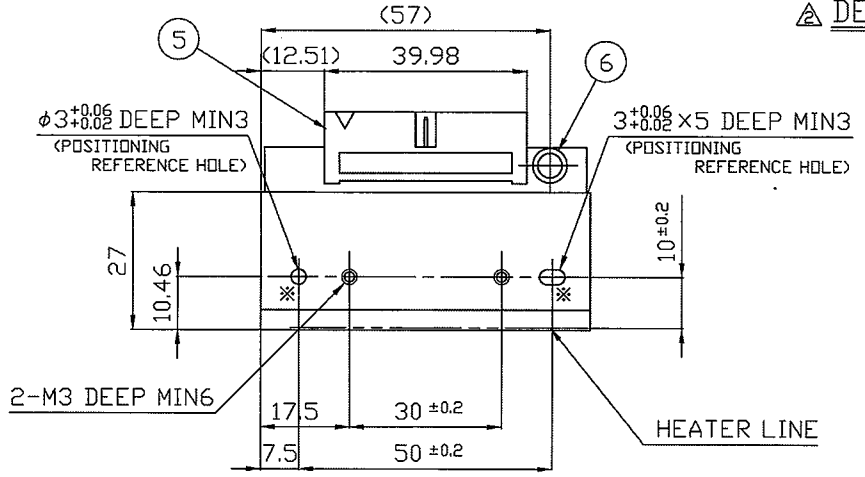
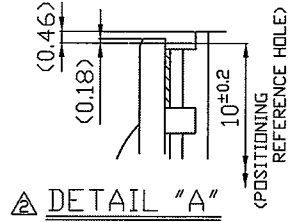
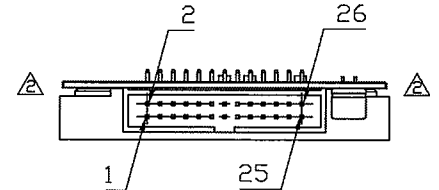


↑ DIRECTION OF MARKING CHARACTER IS UPPER SIDE.



No	DESCRIPTION
①	SUBSTRATE
②	HEAT SINK
③	F P C 1
④	F P C 2
⑤	CONNECTOR
⑥	CAPACITOR
⑦	CHIP CAPACITOR
⑧	CHIP THERMISTOR
⑨	MARKING
⑩	ADHESIVE TAPE
⑪	INSULATING TAPE
⑫	ADHESIVE 1
⑬	ADHESIVE 2



TITLE  
KCE-53-12PAJ1-STB  
OUTLINE DWG