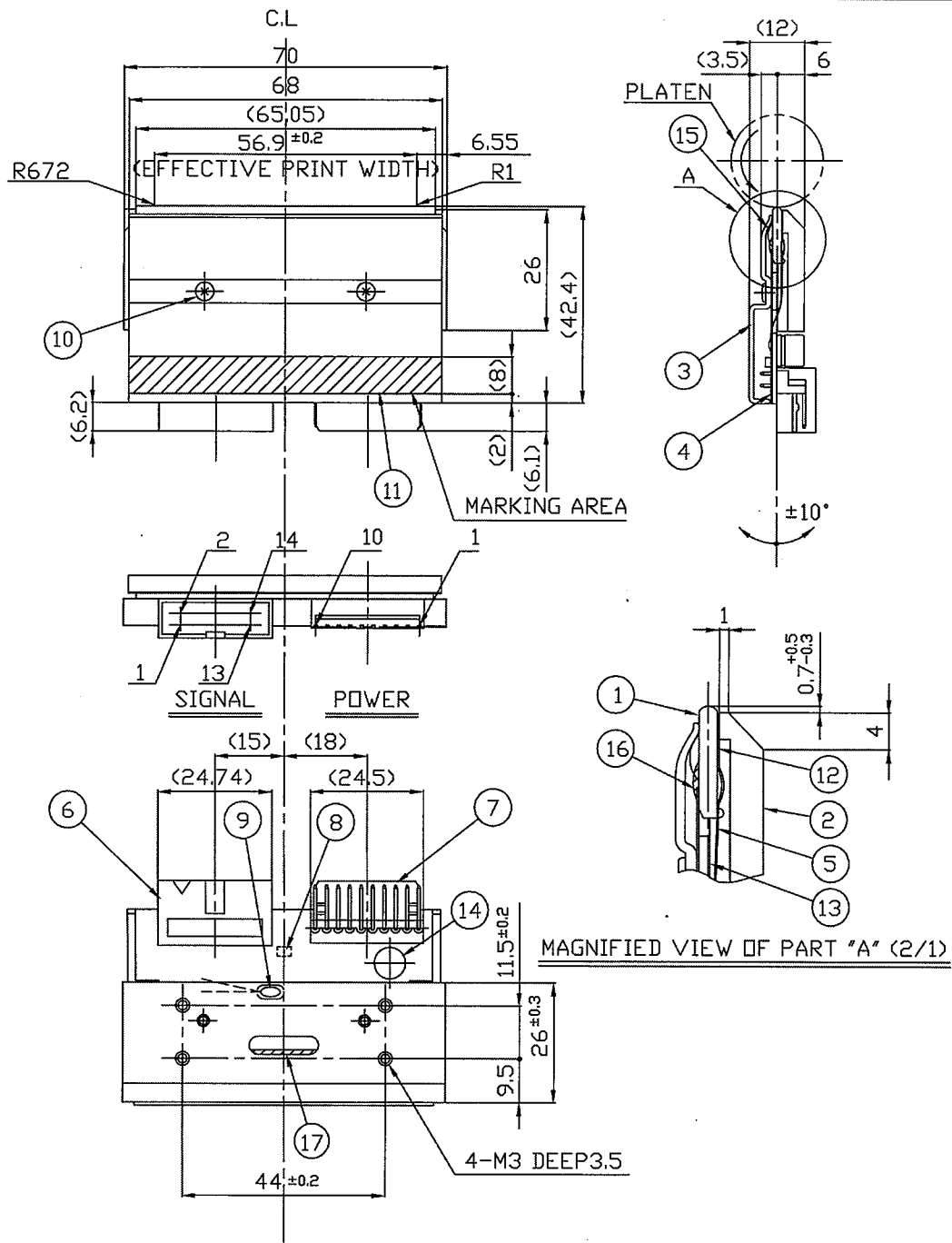


No	DESCRIPTION
(1)	SUBSTRATE
(2)	HEAT SINK
(3)	HEAD COVER
(4)	FELX. CABLE
(5)	COMMON LEAD FRAME
(6)	CONNECTOR 1
(7)	CONNECTOR 2
(8)	CHIP CAPACITOR
(9)	THERMISTOR
(10)	SCREW
(11)	MARKING
(12)	ADHESIVE TAPE 1
(13)	ADHESIVE TAPE 2
(14)	CAPACITOR
(15)	INSULATING TAPE
(16)	ADHESIVE 1
(17)	ADHESIVE 2



TITLE
 KDE-57-12MGL1
 OUTLINE DWG