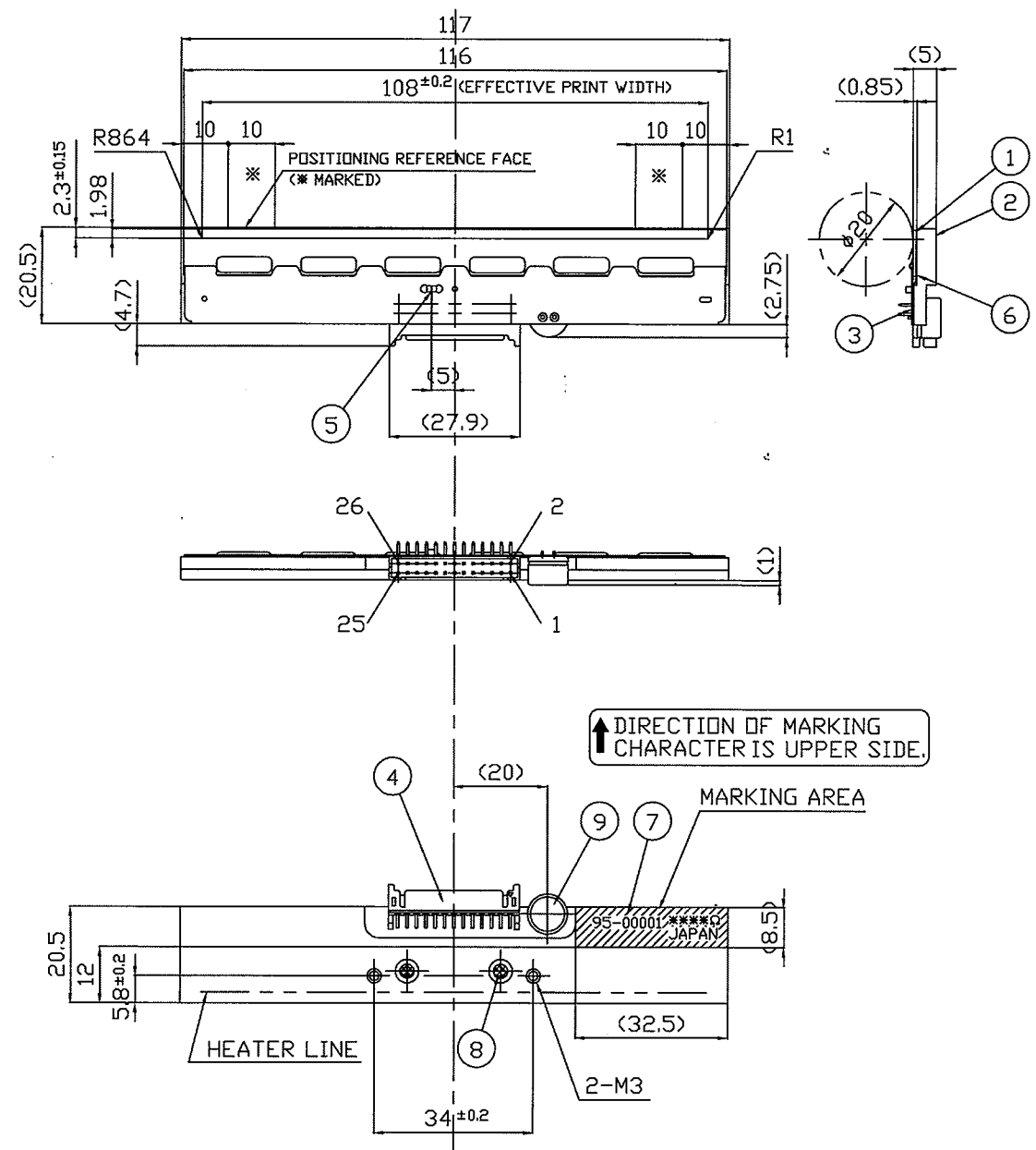


| No | DESCRIPTION |
|----|-----------------|
| ① | SUBSTRATE |
| ② | HEAT SINK |
| ③ | FLEX,CABLE |
| ④ | CONNECTOR |
| ⑤ | CHIP THERMISTOR |
| ⑥ | ADHESIVE TAPE |
| ⑦ | MARKING |
| ⑧ | ADHESIVE |
| ⑨ | CAPACITOR |



TITLE
KPC-108-8TA01-STA
OUTLINE DWG