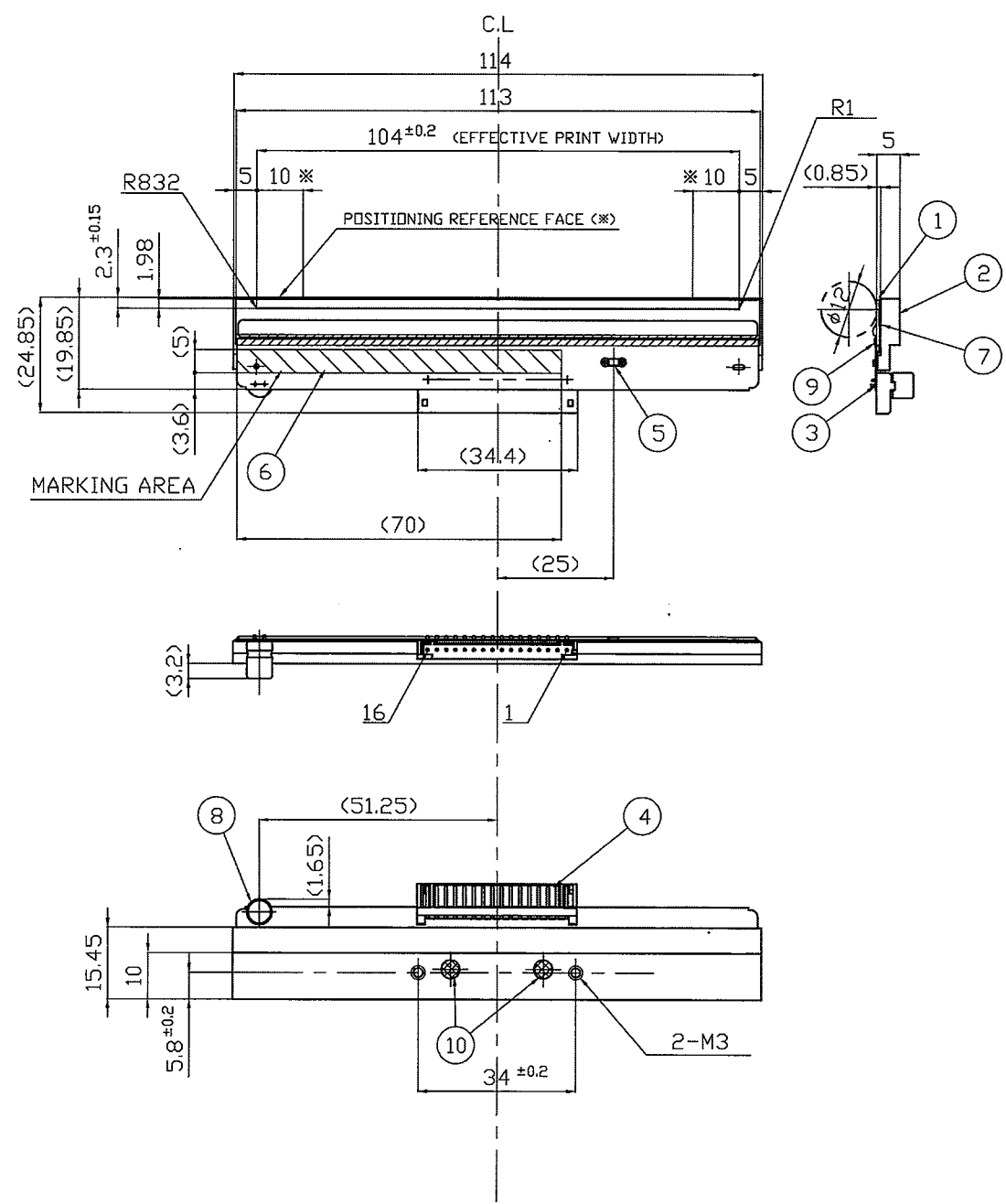


No	DESCRIPTION
①	SUBSTRATE
②	HEAT SINK
③	F.P.C.
④	CONNECTOR
⑤	CHIP THERMISTOR
⑥	MARKING
⑦	ADHESIVE TAPE
⑧	CAPACITOR
⑨	ADHESIVE 1
⑩	ADHESIVE 2



TITLE
 KYT-104-8PAB1-STB
 OUTLINE DWG